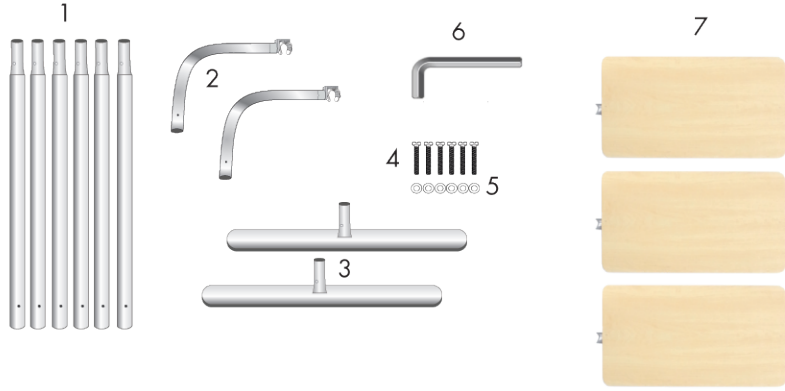


EuroFit Cascade Three-Shelf Merchandiser

Product Parts

- 1 - Side Poles (x6)
- 2 - Top Curved Corners (x2)
- 3 - Feet (x2)
- 4 - Hex Bolts (x6)
- 5 - Washers (x6)
- 6 - 5mm Hex Wrench for Frame Bolts
- 7 - Shelves* (x3)



* Shelf recommended for max 5lbs.

Display Set-Up

Step 1

Assemble hardware laying it on a flat clean surface. Do not attempt to stand or attach the hardware vertically until fully assembled. All parts are numbered for easy assembly.

Step 2

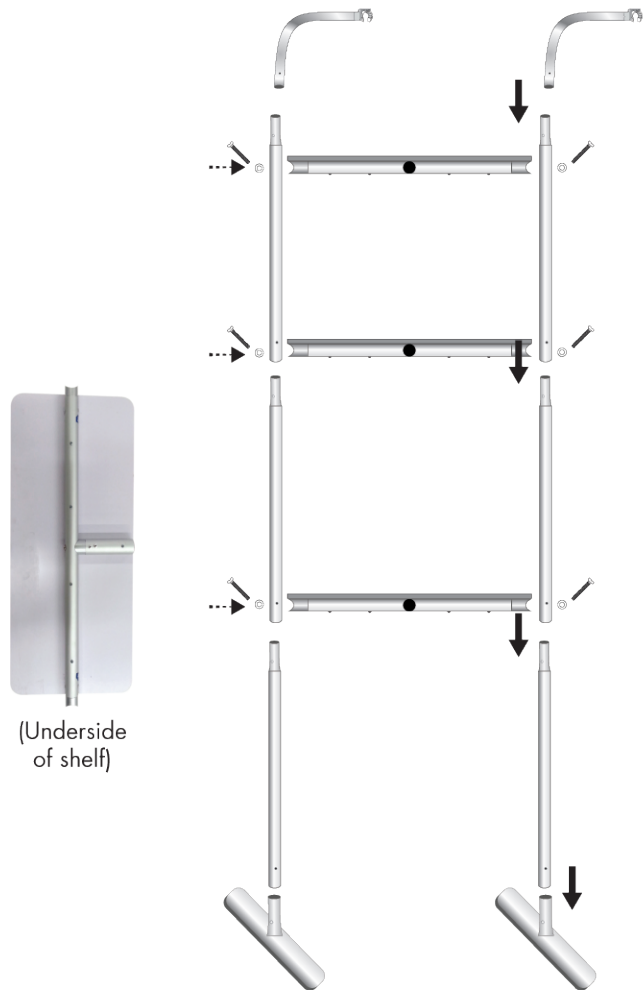
Fully assemble the left Side Poles (1), Feet (3), and Top Curved Corners (2). Match numbers marked on hardware. Repeat for the right side.

Step 3

Using the Hex Bolts (4) and Washers (5), attach the three shelves (7). Hand tighten only.

Step 4

Using supplied 5mm Hex Wrench (6) tighten all Hex Bolts (4).



Storage and Care

Place all product parts into carry case and store in a cool dry location. To clean, wipe with damp cloth.